

ENTRÉ PRISE ARMS INC.

5321 Irwindale Avenue, Irwindale, CA 91706 • Phone: (626) 962-8712, Fax: (626) 962-4692 • <http://www.entreprise.com>

AK/SKS/GALIL Gunsmithing

Name _____
 Company Name _____
 Address _____
 City _____ State _____ Zip _____
 Telephone/Fax _____

SERIAL INFORMATION Date _____
 Upper Receiver _____ Lower Rec. _____
 Bolt _____ Carrier _____
 Invoice Number _____

Assembly: Standard AK47 and AK74 rifles

- ASSEMBLY SERVICE** - Assemble complete rifle using customer supplied bare receiver, demilled parts kit, and necessary US parts. Includes 1) Rivet front trunnion 2) rear trunnion, 3) Rivet trigger guard in new stamped receiver 4) Install Barrel, Headspace 5) Install US parts, 6) Test Fire for function. Service includes sand blasting all carbon metal parts and refinish in mil-spec Maganese phosphate (Brownell's Alumna-Hyde II may be used on non-carbon steel parts) **250.00**
- ASSEMBLY SERVICE NEW BARREL** - Assemble complete rifle using customer supplied bare receiver, all new parts kit (a previously unassembled AK kit which has no barrel components installed), and necessary US parts. 1) Rivet front trunnion 2) rear trunnion, 3) Rivet trigger guard in new stamped receiver 4) Install Barrel, Headspace 5) Install US parts, 6) Test Fire for function. Service includes sand blasting all carbon metal parts and refinish in mil-spec Maganese phosphate (Brownell's Alumna-Hyde II may be used on non-carbon steel parts) **400.00**

Assembly: Milled AK47 Receiver and Galil rifles

- ASSEMBLY SERVICE** - Assemble complete rifle using customer supplied bare receiver, demilled parts kit, and necessary US parts. Includes 1) Install Barrell and true front sight assembly 2) Rivet trigger guard in new receiver 3) Check Headspace 4) Install US parts, 5) Test Fire for function. Service includes sand blasting all carbon metal parts and refinish in mil-spec Maganese phosphate (Brownell's Alumna-Hyde II may be used on non-carbon steel parts) **325.00**

Assembly: AKS-74U & AKS-74S (Krinkov) under- folders

- ASSEMBLY SERVICE** - Assemble complete rifle using customer supplied bare receiver, demilled parts kit, and necessary US parts. Includes 1) Rivet front trunnion 2) rear trunnion, 3) Rivet trigger guard in new stamped receiver 4) Install Barrel, Headspace 5) Mill receiver for Krinkov style underfolding stock 6) Install US parts, 7) Test Fire for function. Service includes sand blasting all carbon metal parts and refinish in mil-spec Maganese phosphate (Brownell's Alumna-Hyde II may be used on non-carbon steel parts) **350.00**

Gunsmithing: SKS

- Install new furniture kit: disassemble rifle and components, degrease, clean, and lubricate all parts. Assemble on new U.S. made customer supplied/purchased furniture kit. Test fire for function. **150.00**
- PARKERIZE ENTIRE WEAPON** - sand blasting & complete disassembly included. **150.00**
- PARKERIZE PARTS** - Receiver **35.00**, Barrel **75.00** Misc Small Parts **55.00**
- WASTE DISPOSAL FEE** (required on all parkerizing services) **17.00**
- PERMANENTLY AFFIX MUZZLE BRAKE** (silver solder, blind pin, locktite, etc). 50.00
- MILL STAMPED RECEIVER FOR KRINKOV AND AK74 STYLE SIDE FOLDING STOCKS** 150.00
- THREAD BARREL FOR MUZZLE BRAKE** 60.00
- RANGE TEST & SIGHT IN** (ammo not included) 50.00

RECEIVER PARTS

Additional notes / comments _____

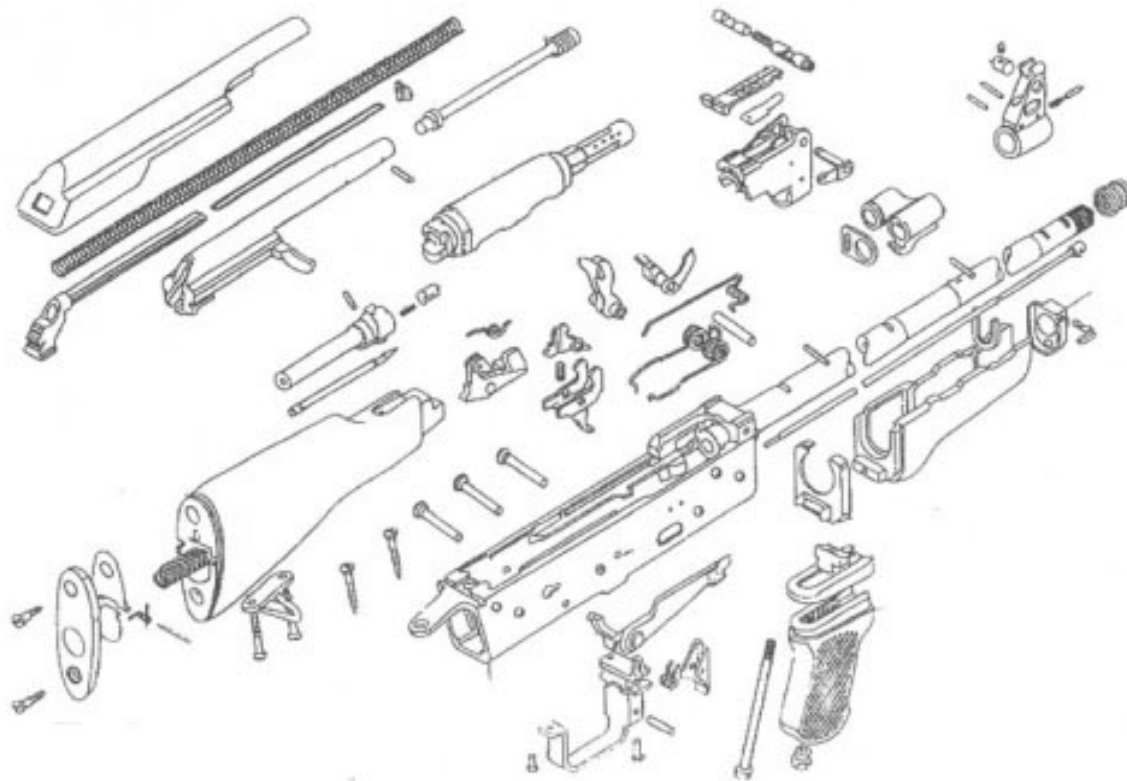
• A 50% deposit may be required before work is started
 • The balance must be paid before delivery
 • Prices subject to change without notice
 • Parts removed become the property of Entréprise Arms Inc. for liability purposes
 • Special services by quote

Payment: Money Order Check Charge
 Amex Discover MasterCard Visa

Card# _____ Exp _____
 Signature _____

Labor Subtotal _____
 Parts Subtotal _____
 Applicable Tax _____
 Shipping, Insurance & Handling _____
 Total _____
 Deposit _____
 Balance _____

Authorized Signature _____



PLEASE CIRCLE ALL PARTS SENT - IN ABOVE DIAGRAM

Depending on your kit or rifle, some parts may look different

STG58 L1A1 Israeli Imbel Other _____

Additional parts:

DESCRIPTION	QTY	DESCRIPTION	QTY	DESCRIPTION	QTY
1. _____	_____	6. _____	_____	11. _____	_____
2. _____	_____	7. _____	_____	12. _____	_____
3. _____	_____	8. _____	_____	13. _____	_____
4. _____	_____	9. _____	_____	14. _____	_____
5. _____	_____	10. _____	_____	15. _____	_____